

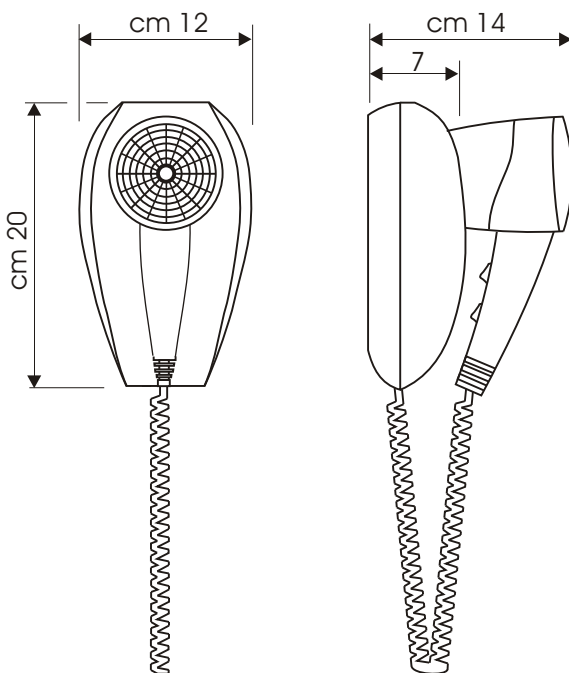


Cod. 191 D-NK
Cod. 191 D-NK /1600




Wall mounted hair dryer

- On/off security switch
- Slide switch:
 - 2 speeds
 - 3 temperatures
- Automatic cut-off switch
- Spiraled cable reinforced
- Supplied with alimentation cable, detachable for eventual connection direct to electrical mains that comes out from the wall

Dimensions



Technical Sheet

| | |
|--|--|
| Functioning | On/Off pushing switch |
| Material | UV resistant ABS Nylon Uninflammable |
| Temperatures | 3 |
| Speeds | 2 |
| Voltage | 220/240 V |
| Frequency | 50/60 Hz |
| Power 191 D-NK | 1.300 W |
| Power 191 D-NK /1600 | 1.600 W |
| Air Flow | 124 m ³ /h |
| Noise level | 60 dB |
| Liquid protection degree | IPX0 |
| Electric protection degree | Class II |
| Wall installation | By furnished plug or Direct on the wall |
| Quality Mark 191 D; 191 RBD 191 D /1600; 191 RBD /1600 |    |
| 191; 191 RB 191 /1600; 191 RB /1600 | |